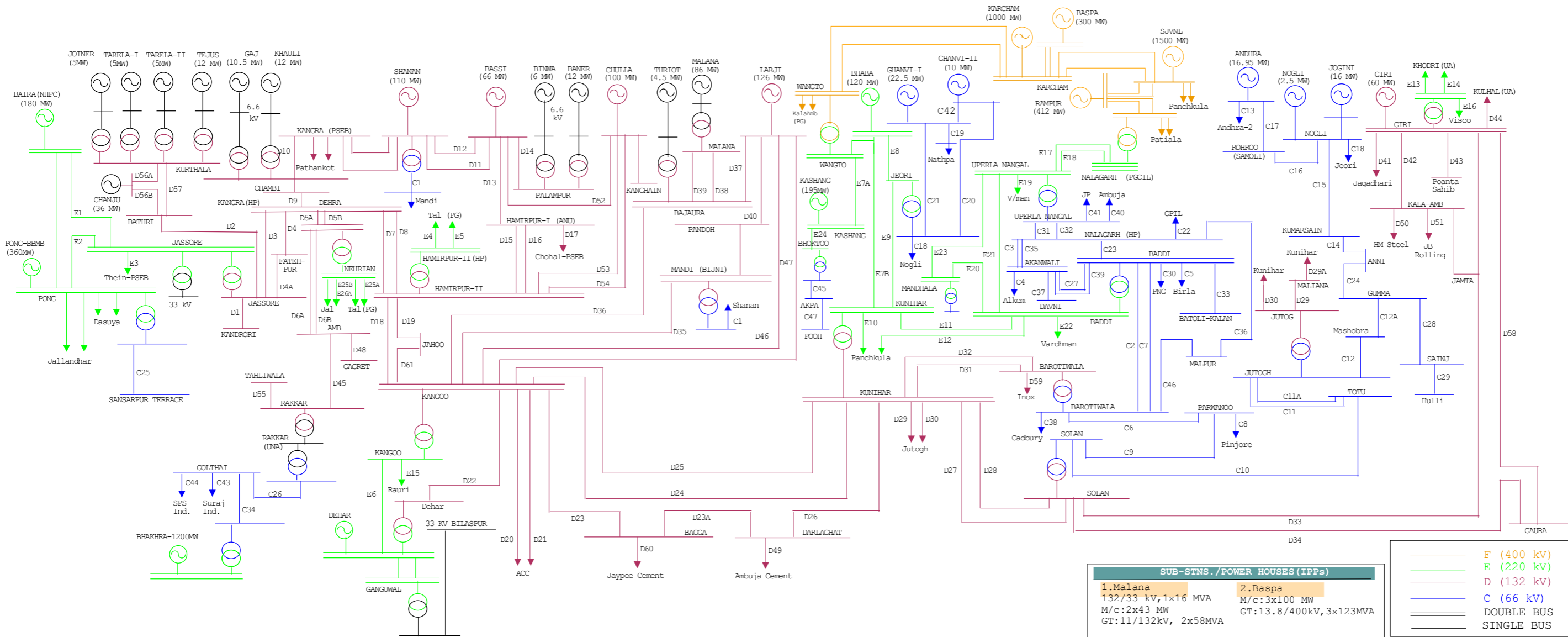


SINGLE LINE NETWORK DIAGRAM OF HPSEBL (66kV and above)

AS ON: 31-12-2019



Line code	Length km.	Line code	Length km.	Line code	Length km.	Line code	Length km.	Line code	Length km.	Line code	Length km.	Line code	Length km.	Line code	Length km.
E1	57.00	D1	024.234	D23	016.205	D42	31.960	C1	35.00	C23	016.739	220 kV SUB-STNS./POWER HOUSES			
E2	040.00	D2	038.480	D23A	013.563	D43	16.390	C2	03.820	C24	040.304	1. Baddi DOC: 12.7.2005 220/66 kV, 3x80/100 MVA			
E3	025.602	D3	060.639	D24	046.00	D44	017.60	C3	14.507	C25	006.40	220/33 kV, 1x25/31.5 MVA			
E4	9.50	D4	060.639	D25	047.039	D45	031.322	C4	0.425	C26	15.980	66/33 kV, 1x20 MVA			
E5	9.50	D5A	28.564	D26	022.301	D46	055.83	C5	1.740	C27	10.172	66/11 kV, 4x20 MVA			
E6	03.177	D5B	28.564	D27	022.00	D47	055.83	C6	017.210	C28	21.029	2. Bhaba DOC: 20.5.1989 220/11 kV, 1x10 MVA Mc:3x40 MW GT:11/220 kV, 3x50MVA			
E7A	37.000	D6A	1.201	D28	020.00	D48	7.80	C7	03.256	C29	009.992	3. Girinagar DOC: 16.4.1978 220/132 kV, 2x80/100 MVA			
E7B	167.9	D6B	1.201	D29	020.00	D49	1.918	C8	008.230	C30	02.40	220/132 kV, 2x25/31.5 MVA			
E8	024.70			D29A	030.00	D50	0.080	C9	018.50	C31	3.510	132/33 kV, 1x16 MVA M/c:2x30MW;GT:11/132kV,2x40MVA			
E9	106.72	D7	043.113	D29A	030.00	D51	0.043	C10	025.27	C32	3.510	4. Hamirpur-II DOC: 1.8.2001 220/132 kV, 3x80/100 MVA			
E10	67.5	D8	043.113	D30	015.750	D52	15.000	C11	01.555	C33	02.00	220/132 kV, 1x150MVA, 1x50/63MVA			
E11	031.091	D9	029.935	D31	026.03	D53	35.699	C11A	01.555	C34	1.813	220/33 kV, 2x25/31.5 MVA			
E12	042.764	D10	00.135	D32	026.03	D54	35.699	C12	012.527	C35	014.507	5. Jassore DOC: 7.9.1985 220/132 kV, 1x150MVA, 1x50/63MVA			
E13	035.06	D11	005.25	D33	063.99	D55	16.949	C12A	02.962	C36	019.995	220/33 kV, 2x25/31.5 MVA			
E14	035.06	D12	005.25	D34	20.662	D56A	17.300	C13	007.30	C37	002.11	6. Jeori DOC: 3/2009 220/66 kV, 1x100 MVA(1-Ø BANK)			
E15	024.115	D13	049.75	D35	060.70	D56B	39.210	C14	017.3	C38	0.72	220/66 kV, 1x31.5 MVA			
E16	002.65	D14	032.00	D36	073.199	D57	45.510	C15	025.694	C39	010.172	66/22 kV, 1x10 MVA, 1x31.5 MVA			
E17	003.569	D15	004.95	D37	021.000	D58	60.491	C16	34.408	C40	09.837	7. Kangoo DOC: 18.6.1999 220/132 kV, 1x80/100 MVA			
E18	003.569	D16	004.95	D38	024.11	D59	1.00	C17	013.10	C41	21.078	220/132 kV, 1x80/100 MVA			
E19	0.300	D17	076.00	D39	024.11	D60	0.500	C18	024.71	C42	3.280	132/33 kV, 2x25/31.5 MVA			
E20	7.80	D18	042.139	D40	020.00	D61	29.403	C19	26.270	C43	0.260	8. Kunihar DOC: 17.1.1989 220/132 kV, 2x80/100 MVA			
E21	24.562	D19	24.836	D41	050.00	D62	29.403	C20	06.952	C44	0.400	220/132 kV, 1x160/200 MVA			
E22	0.804	D20	001.65			TOTAL	1789.366	C21	5.750	C45	014.00	132/33 kV, 1x16 MVA			
E23	30.253	D21	001.65					C22	01.545	TOTAL	539.794	9. Mandhala DOC: 11.9.2015 220/66kV, 1x100 MVA			
E24	3.700	D22	002.90									66/11kV, 4x20 MVA			
E25A	56.306											10. Uparla Nangal DOC: 2.7.10 220/66 kV, 2x100 MVA			
E25B	56.306											220/33 kV, 1x25/31.5 MVA			
E26A	74.031														
E26B	74.031														
TOTAL	1054.57														

11. Nehrian DOC: 06.11.2018 220/132 kV, 1X160/200 MVA	11. Gagret DOC: 12/2009 132/33 kV, 1x25/31.5 MVA 132/11 kV, 1x25/31.5 MVA	23. Malana DOC: 11.8.2009 33/132 kV, 1x25/31.5 MVA	9. Gumma DOC: 12.7.1983 66/22 kV, 2x6.3 MVA, 1x10 MVA
132kV SUB-STNS./POWER HOUSES		24. Maliana DOC: 2017 132/33 kV, 31.5MVA	10. Khotkhai DOC: 22.12.2008 66/22 kV, 2x10 MVA
1. Amb DOC: 31.5.1997 132/33 kV, 1x25/31.5 MVA	2. Bagga ISS DOC: 25.11.2009	12. Gaura DOC: 9.9.2014 132/33 kV, 1x16 MVA(1-Ø)	11. Kumarsain DOC: 7/1984 66/22 kV, 1x6.3MVA, 1x10MVA
2. Baggia DOC: 25.11.2009	3. Bajaura DOC: 12/1998 132/33 kV, 2x25/31.5 MVA	13. Poanta DOC: 21.10.2007 132/33 kV, 2x25/31.5 MVA 132/11 kV, 1x25/31.5 MVA	12. Malpur DOC: 2017
3. Barotiwala DOC: 19.5.1989 132/66 kV, 3x25/31.5 MVA 132/11 kV, 1x16 MVA	4. Hamirpur-I DOC: 1979 132/33 kV, 2x25/31.5 MVA 33/11 kV, 2x5 MVA	14. Hamirpur-II DOC: 1979 132/33 kV, 2x25/31.5 MVA 132/11 kV, 2x5 MVA	13. Mashobra DOC: 66/22 kV, 1x6.3MVA, 1x10MVA
4. Hamirpur-II DOC: 1.8.2001 220/132 kV, 3x80/100 MVA	5. Jahoo DOC: 132/33 kV, 1x25/31.5 MVA	15. Jassore DOC: 132/33 kV, 1x16 MVA 33/11 kV, 2x2.5 MVA	14. Nalagarh DOC: 26.12.2005 66/33 kV, 2x20 MVA, 10 MVA 66/11 kV, 2x20 MVA
5. Jassore DOC: 7.9.1985 220/132 kV, 1x150MVA, 1x50/63MVA	6. Bathri DOC: 12.5.1987 132/33 kV, 2x25/31.5 MVA 33/11 kV, 2x1.6 MVA	16. Jutogh DOC: 17.5.1981 132/66kV, 25/31.5MVA, 50/63MVA 132/33kV, 31.5MVA, 25/31.5MVA 66/33kV, 1x20MVA	15. Nathpa DOC: 31.1.2009 66/22kV, 1x10MVA, 1x20MVA
6. Jeori DOC: 3/2009 220/66 kV, 1x100 MVA(1-Ø BANK)	7. Darlaghat DOC: 23.6.2006 132/11 kV, 7.5 MVA	17. Kala-Amb DOC: 30.11.2006 132/33 kV, 3x25/31.5 MVA 132/11 kV, 1x25/31.5 MVA	16. Nogli DOC: 12/1963 66/22 kV, 1x10 MVA M/c: 2x250kW + 4x500kW GT: 0.4/22 kV, 2x300 kVA GT: 0.4/22 kV, 2x1250 kVA
7. Kangoo DOC: 18.6.1999 220/132 kV, 1x80/100 MVA	8. Dehan DOC: 19.12.1997 132/33 kV, 2x25/31.5 MVA 33/11 kV, 2x4 MVA	18. Kandrori DOC: 28.8.1996 132/33 kV, 3x16 MVA 33/11 kV, 2x6.3 MVA	17. Parwanoo DOC: 2.11.2001 66/11 kV, 2x20 MVA
8. Kunihar DOC: 17.1.1989 220/132 kV, 2x80/100 MVA	9. Dehra DOC: 21.12.1993 132/33 kV, 2x16/20 MVA 33/11 kV, 2x4 MVA	19. Kangain DOC: 2017	18. Sainj DOC: 21.11.2007 66/11 kV, 2x6.3 MVA 66/22 kV, 1x6.3 MVA
9. Mandhala DOC: 11.9.2015 220/66kV, 1x100 MVA	10. Fatehpur DOC: 2017 132/33 kV, 1x25/31.5 MVA	20. Kangra DOC: 2/1978 132/33 kV, 2x25/31.5 MVA 33/11 kV, 2x10 MVA	19. S. Terrace DOC: 8.10.1990 66/11 kV, 2x10 MVA
66/11kV, 4x20 MVA	10. Uparla Nangal DOC: 2.7.10 220/66 kV, 2x100 MVA	21. Kurthala DOC: 30.8.2014 33/132 kV, 1x50/63MVA	20. Samauli DOC: 17.12.2008 66/22kV, 1x16MVA, 1x10MVA
		22. Larji DOC: 28.9.2006 Mc: 3x42MW; GT: 11/132kV, 52MVA 132/11 kV, 1x6.3 MVA	21. Totu DOC: 16.07.1995 66/33 kV, 1x20MVA 66/11 kV, 1x20MVA